



WARRANTY:

This instrument is warranted from all defects in materials and manufacturing for a period of **two years** from the date of purchase.

If during this period, the repair or replacement of parts is required, where the damage is not due to negligence or erroneous operation by the user, please return the parts to either dealer or our office and the repair will be effected free of charge.

Note: We reserve the right to modify the design, construction and appearance of our products without advance notice.

SPECIFICATIONS:

	MW 10
RANGE	0.00 to 2.50 ppm
RESOLUTION	0.01 ppm
ACCURACY	±0.03 ppm ±3% of reading @ 25 °C
TYPICAL EMC DEV.	±0.01 ppm
LIGHT SOURCE	Light Emitting Diode @ 525 nm
LIGHT DETECTOR	Silicon Photocell
METHOD	Adaptation of USEPA method 330.5. The reaction between free chlorine and the DPD reagent causes a pink tint in the sample.
ENVIRONMENT	0 to 50°C (32 to 122 °F) max. 95% RH non-condensing
BATTERY TYPE	1 x 1.5V AAA
AUTO-SHUT OFF	After 2 minutes of non-use
DIMENSIONS	81.5 x 61 x 37.5 mm (3.2 x 2.4 x 1.5")
WEIGHT	64 g (2.25 oz.)

OPTIONAL ACCESSORIES:

Reagent Sets

2720116 Free Chlorine powder reagent, 25 pcs.

Other Accessories

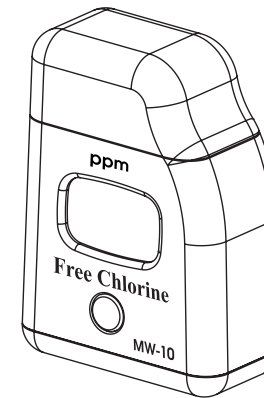
3000100 Glass cuvettes with caps (2 pcs)

3000200 Tissue fow wiping cuvettes (2 pcs)

3000300 1.5V AAA batteries (4 pcs)



**FREE CHLORINE
MODEL: MW10**



Tel.: **(+34) 902 11 79 29**

Web: **www.infoagro.com/instrumental**

PRELIMINARY EXAMINATION:

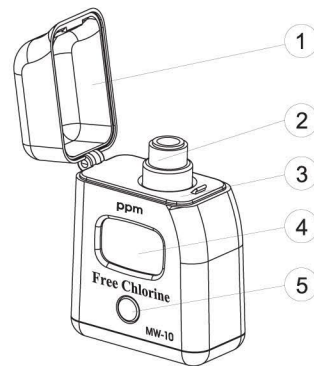
Please examine this product carefully. Make sure that the instrument is not damaged. If any damage occurred during shipment, please notify your Dealer.

Each MW 10 meter is supplied complete with:

- Two Sample Cuvettes and Caps
- Six powder reagents for Free Chlorine
- 1 x 1.5V AAA Battery
- Instruction Manual

FUNCTIONAL DESCRIPTION:

1. Dust cover
2. Cuvette with cap
3. Cuvette holder
4. Liquid Crystal Display
5. Button

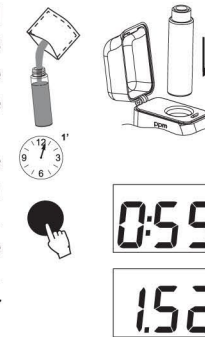


OPERATION:

- Turn the meter on by pressing the button. After all the segments are displayed, "C.1", "Add" appears with "Press" blinking, the meter is ready.
- Fill the cuvette with 10 mL of unreacted sample and replace the cap. Place the cuvette into the meter and close the meter's cap.
- Press the button. When the display shows "Add", "C.2" with "Press" blinking the meter is zeroed.



- Remove the cuvette, open it and add the content of one packet of **2720116** reagent. Replace the cap and shake gently for 20 seconds. Replace the cuvette into the meter.
- Wait for 1 minute and then press the button or press and hold the button until the timer is displayed on the LCD.
- The instrument directly displays the concentration of free chlorine in ppm. The meter automatically turns off after 2 minutes.

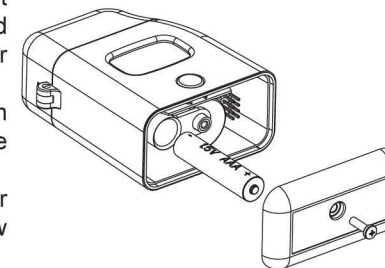


BATTERY REPLACEMENT:

To save the battery, the instrument shuts down after 2 minutes of non-use. One fresh battery lasts for a minimum of 5000 measurements, depending on the light level. When the battery capacity is under 10 % "bAt" appears on the LCD at start-up. If the battery is empty and accurate measurements can't be taken any more, the instrument shows "bAd" then "bAt" each for 1 second and turns off. To restart the instrument, the battery must be replaced with a fresh one.

To replace the instrument's battery, follow the steps:

- Turn the instrument off by holding the button until the meter shuts off.
- Turn the instrument upside down and remove the battery cover with a screwdriver.
- Remove the battery from its location and replace it with a fresh one.
- Insert the battery cover and replace the screw with a screwdriver.





WARRANTY:

This instrument is warranted from all defects in materials and manufacturing for a period of **two years** from the date of purchase.

If during this period, the repair or replacement of parts is required, where the damage is not due to negligence or erroneous operation by the user, please return the parts to either dealer or our office and the repair will be effected free of charge.

Note: We reserve the right to modify the design, construction and appearance of our products without advance notice.

SPECIFICATIONS:

	MW 11
RANGE	0.00 to 3.50 ppm
RESOLUTION	0.01 ppm
ACCURACY	±0.03 ppm ±3% of reading @ 25 °C
TYPICAL EMC DEV.	±0.01 ppm
LIGHT SOURCE	Light Emitting Diode @ 525 nm
LIGHT DETECTOR	Silicon Photocell
METHOD	Adaptation of USEPA method 330.5. The reaction between total chlorine and the DPD reagent causes a pink tint in the sample.
ENVIRONMENT	0 to 50°C (32 to 122 °F) max. 95% RH non-condensing
BATTERY TYPE	1 x 1.5V AAA
AUTO-SHUT OFF	After 2 minutes of non-use
DIMENSIONS	81.5 x 61 x 37.5 mm (3.2 x 2.4 x 1.5")
WEIGHT	64 g (2.25 oz.)

OPTIONAL ACCESSORIES:

Reagent Sets

2720216 Total Chlorine powder reagent, 25 pcs.

Other Accessories

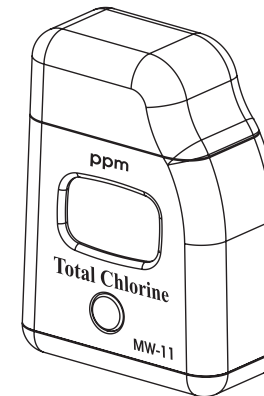
3000100 Glass cuvettes with caps (2 pcs)

3000200 Tissue fow wiping cuvettes (2 pcs)

3000300 1.5V AAA batteries (4 pcs)

TOTAL CHLORINE

MODEL: MW11



Tel.: **(+34) 902 11 79 29**
Web: **www.infoagro.com/instrumental**

PRELIMINARY EXAMINATION:

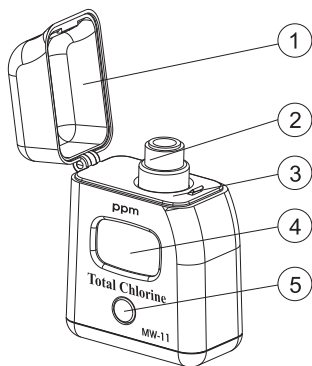
Please examine this product carefully. Make sure that the instrument is not damaged. If any damage occurred during shipment, please notify your Dealer.

Each MW 11 meter is supplied complete with:

- Two Sample Cuvettes and Caps
- Six powder reagents for Total Chlorine
- 1 x 1.5V AAA Battery
- Instruction Manual

FUNCTIONAL DESCRIPTION:

1. Dust cover
2. Cuvette with cap
3. Cuvette holder
4. Liquid Crystal Display
5. Button



OPERATION:

- Turn the meter on by pressing the button. After all the segments are displayed, "C.1", "Add" appears with "Press" blinking, the meter is ready.
- Fill the cuvette with 10 mL of unreacted sample and replace the cap. Place the cuvette into the meter and close the meter's cap.
- Press the button. When the display shows "Add", "C.2" with "Press" blinking the meter is zeroed.



- Remove the cuvette, open it and add the content of one packet of **2720216** reagent. Replace the cap and shake gently for 20 seconds. Replace the cuvette into the meter.
- Wait for 2 minutes and 30 seconds and then press the button or press and hold the button until the timer is displayed on the LCD.
- The instrument directly displays the concentration of total chlorine in ppm. The meter automatically turns off after 2 minutes.



BATTERY REPLACEMENT:

To save the battery, the instrument shuts down after 2 minutes of non-use. One fresh battery lasts for a minimum of 5000 measurements, depending on the light level. When the battery capacity is under 10 % "bAt" appears on the LCD at start-up. If the battery is empty and accurate measurements can't be taken any more, the instrument shows "bAd" then "bAt" each for 1 second and turns off. To restart the instrument, the battery must be replaced with a fresh one.

To replace the instrument's battery, follow the steps:

- Turn the instrument off by holding the button until the meter shuts off.
- Turn the instrument upside down and remove the battery cover with a screwdriver.
- Remove the battery from its location and replace it with a fresh one.
- Insert the battery cover and replace the screw with a screwdriver.

